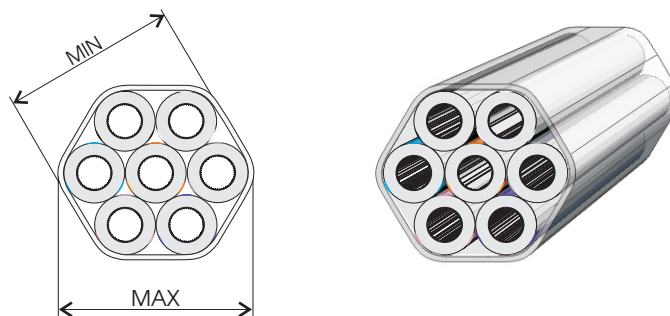


Bundle DuraMulti DB 7x7/4 mm

Bundle of microducts DuraMulti DB is intended for protection of optical microcables. Microducts DuraMicro DB are oversheathed by foil from high density polyethylene (HDPE). Access to microducts is easy because of thin sheath, which is not attached to microducts.



Wall thickness of microducts, bundle sheath and type of material classify the bundle as a Direct Burial (DB). Installation methods and conditions are described in the Installation manual.

- DURA-LINE CT's quality system is certified according to EN ISO 9001, EN ISO 14001 and OHSAS 18001.
- Bundle does not contain chemicals in accordance to the Directive of the European Parliament and the Commission no. 2006/1907/EC (REACH)
- Bundle meets requirements of the Directive of the European Parliament and the Commission no. 2011/65/EU (RoHS), as amended on January 3, 2013 (RoHS II).

Parameters of microducts are in relevant Technical Data Sheet and in company standard CWS103-2015.

Parameter	Value
Maximal dimension of cross section (MAX)	*22,5 mm
Minimal dimension of cross section (MIN)	*21 mm
Sheath thickness	*0,75 mm
Weight	*209 kg/km
Transport and storage temperatures	from -40°C to +70°C
Installation temperatures	from -10°C to +50°C
Operating temperatures	from -40°C to +70°C
Installation tensile force	max. 2 450 N
Minimum bending radius	225 mm
Outdoor exposure limit in Central Europe	max. 12 months

* informative value

- **Standard** is a basic material version convenient for most applications.
- **UV stabilized** is more resistant to ultraviolet radiation. Storability is prolonged to 24 months at Central Europe outdoor conditions. Microducts and sheath are stabilized.
- **Antistat** - lower electrical surface resistance. Microducts and sheath are antistatic.

Bundle is supplied in natural translucent version or in a wide scale of the following RAL list.



DESCRIPTION, APPLICATION

LEGISLATION

PARAMETERS

MODIFICATION

COLOR LIST

Bundle DuraMulti DB 7x7/4 mm

MARKING

Bundle is printed in whole length according to customer requirement. Printing color is contrasting to bundle color. Printing can be doubled in opposite sides as an option. Printing scheme is repeating after 1 metre.

Example of printing scheme:

DURA-LINE CT DuraMulti DB 7x7/4mm SILICORE 03/2009 LOTNo 12345678 0000m ><

PACKING AND STORAGE

Bundle is wound on return wooden drum (DB1) and coil is wrapped by stretch film. Bundle's ends are protected by plastic caps protecting them from impurities penetrating into microducts. DB1 core diameter is 950 mm. All drum dimensions are informative values. Other types and dimensions of drum are on request.

Drum	Flange diameter (mm)	Drum width (mm)	Shaft hole diameter (mm)	Winding maximum length (m)	Informative weight of full drum (kg)
DB1	2 250	1 100	82	4 000	1 240

